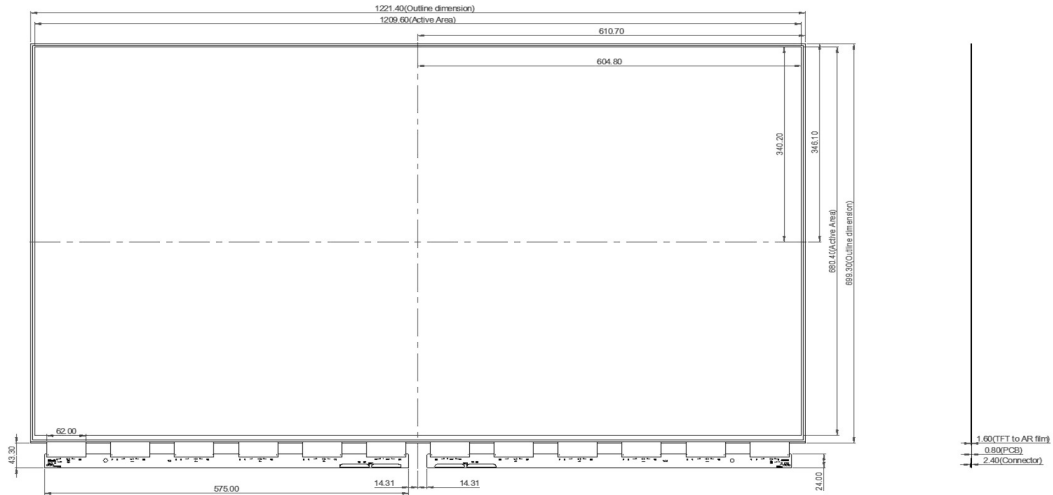
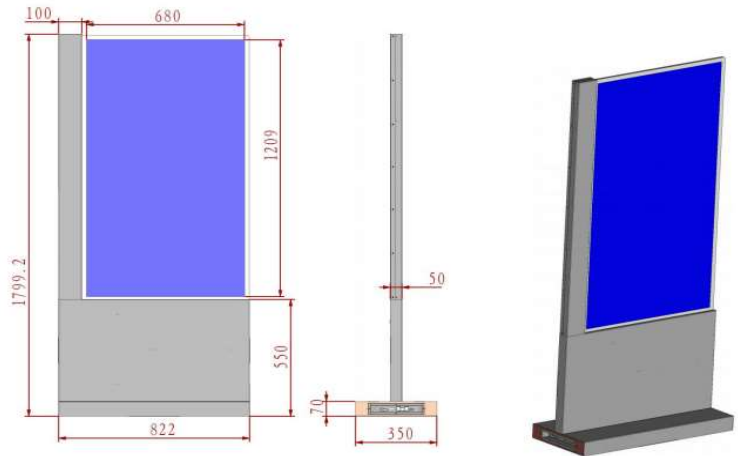


## OLED Display Specifications



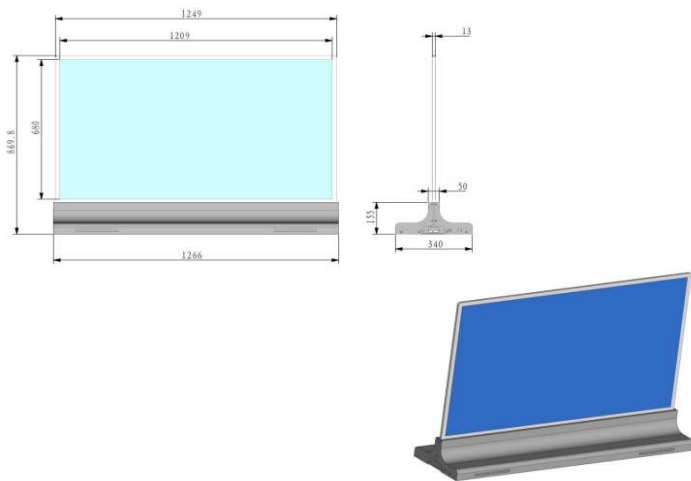
Dimension	55" (16:9)
Resolution	1,920 x 1,080
Brightness	320/150 nit (APL25%/100%)
Display Area	1,209.6 x 680.4 (H x V) mm
Overall Area	1,221.5 x 699.4 (H x V x D) mm
Bezel(T/L/R/B)	7.9/7.9/7.9/121.7 (mm, Set, T/L/R/B)
Depth	6.64mm(cabinet) 4.89(active area)
Viewing Angle	60/60/60/60 (Min.)(CR $\geq$ 10)
Transparency	40% (Panel)
Weight	3.14 (Typ.)
Pixel Configuration	RGBW
Surface Processing	Hard Coating (2H)
Color Gamut	1.07B, 100% sRGB
Display Type	OLED Display, AM-OLED
Frame Rate	120HZ
Life Span	30Khours
Touch	Optional Capacitive/Infrared Touch
Toughness	Unbendable
Working Temperature	0~50°C
Storage Temperature	-20~65°C
Input Voltage	12.0/24V (Typ.)(VDD/EVDD)
Sensitivity	8 (Typ.)(G to G) ms
Interface	HDMI(1), DP In/Out(1), IR In(1), RJ45 In/Out(1), USB(2), RS232C In/Out(1), Audio Out(1)

### Standalone OLED



Display Dimension	680.4 x 1209.6 x 50 (H x V x D) mm
Overall Dimension	765.5 x 1778.8 x 350 (H x V x D) mm
	Avg: 190W
Power Consumption	DPM: 3W
	Power Off: 0.5W
Packing	1920 x 450 x 920 mm

### Tabletop OLED



Display Dimension	1209 x 680 x 13 (H x V x D) mm
Overall Dimension	1266 x 870 x 340 (H x V x D) mm
	Avg: 190W
Power Consumption	DPM: 3W
	Power Off: 0.5W
Packing	1420 x 450 x 1020 mm